



Premium™

4' x 10' Pre-Built Sections

Assembly Instructions



We're Here To Help! Call Toll Free **1-888-752-9782**
Customer Service: Monday - Friday, 8:00 A.M. to 5:00 P.M. C.S.T.

TABLE OF CONTENTS - PREMIUM DOCK SYSTEM

4' x 10' Dock Assembly – Roll-in and Stationary 4

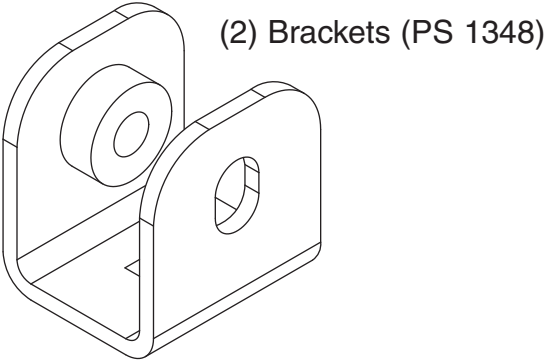
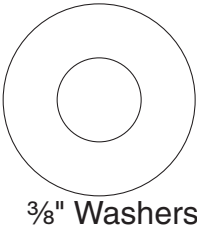
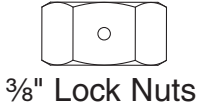
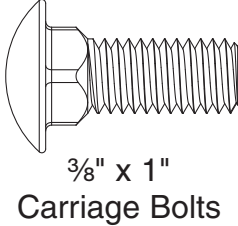
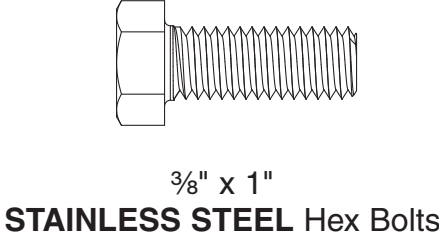
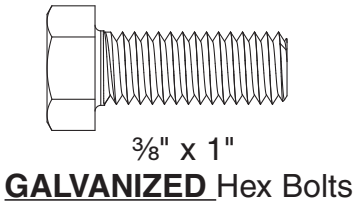
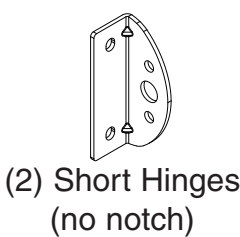
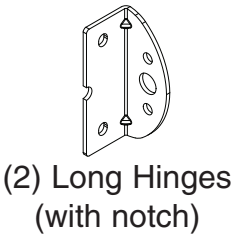
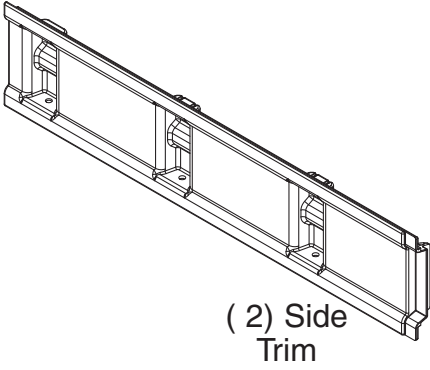
4' x 10' Dock Assembly – Floating 9

Attaching Accessory Brackets 11

Attaching Hinges..... 12

Attaching Accessories..... 13

HARDWARE *(Your Installation may not require the use of everything included)*



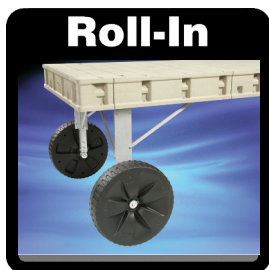
CONTENTS



Stationary

Components:

- 1 Premium Frame
- 2 Multi Purpose Bumpers
- 2 Adjustable Dock Legs
- 1 Premium Dock Cleat
- 9 Accessory Brackets
- 1 Premium Hinge Kit
- 2 Premium Foot Plates
- 2 Premium Dock Sides
- 1 Premium Hardware



Roll-In

Components:

- 1 Premium Frame
- 2 Multi Purpose Bumpers
- 2 Adjustable Dock Legs
- 1 Premium Dock Cleat
- 9 Accessory Brackets
- 1 Premium Hinge Kit
- 2 Dock Wheels
- 2 Premium Wheel Attachment
- 2 Premium Dock Sides
- 1 Premium Hardware



Floating

Components:

- 1 Premium Frame
- 1 Premium Sleeve Bumper
- 1 Premium Dock Cleat
- 1 Pipe Safety Cap
- 1 Premium Hinge Kit
- 7 Accessory Brackets
- 1 CG Auger
- 3 Floats
- 1 Premium Hardware

(1) Dock Pipe (1 $\frac{5}{8}$ " or 1 $\frac{7}{8}$ ") Purchased Separately as length will be determined by your specific water depth

PlayStar does not recommend using two different types of support methods.

TOOLS REQUIRED

Safety Glasses
Gloves

Measuring Tape
Pencil

$\frac{9}{16}$ " , 1" Socket and Wrench
 $\frac{9}{16}$ " Combination Wrench

READ ALL INSTRUCTIONS THOROUGHLY BEFORE YOU BEGIN CONSTRUCTION.

STATIONARY & ROLL-IN DOCK PROJECT STARTS HERE.

DOCK LAYOUT EXAMPLES

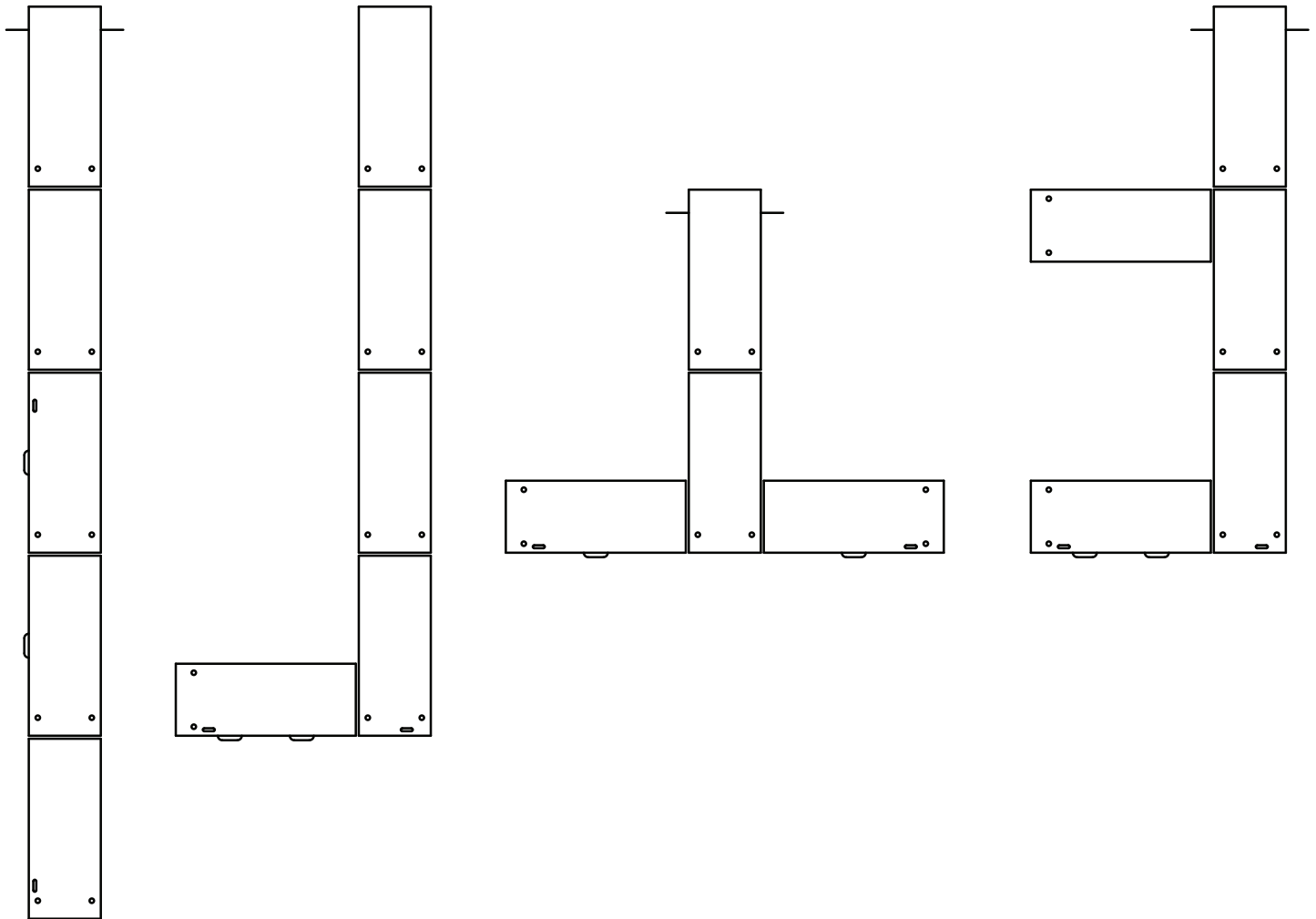
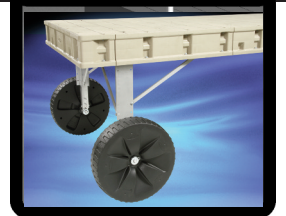
KEY

- - Dock Pipe
- ⊖ - Pipe Sleeve Bumper
- ⏏ - Cleat
- ⏏ - Multi-Purpose Bumper

Stationary



Roll-In

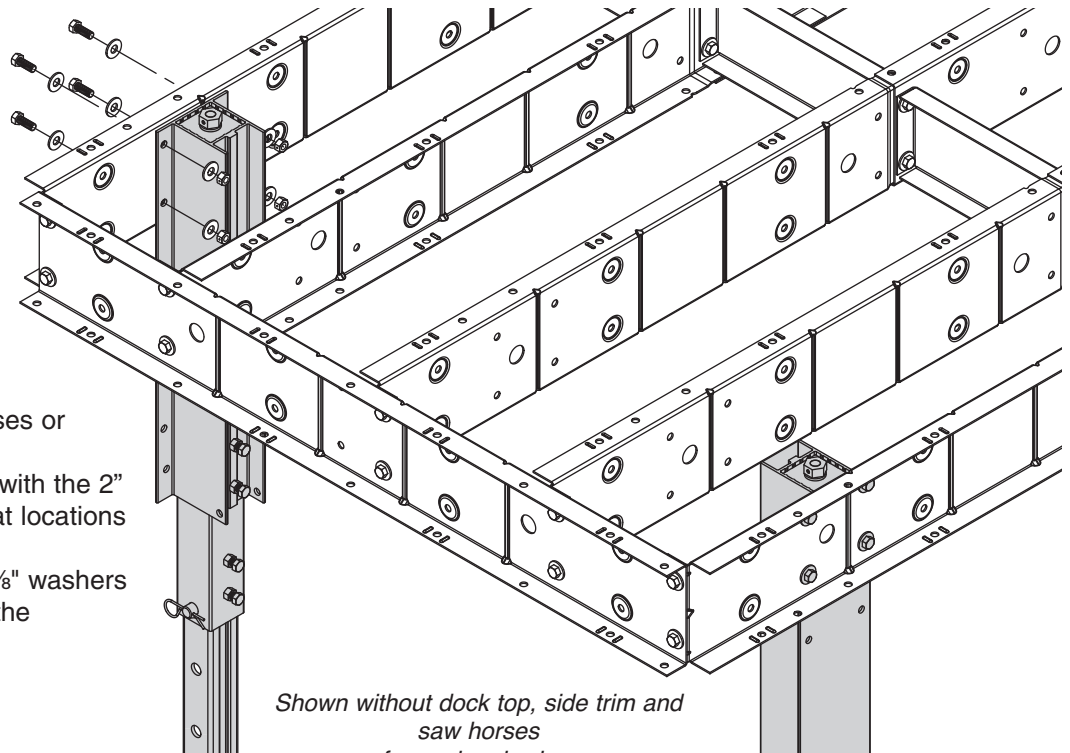


All PlayStar Docks are made from 4' x 10' modular sections which can be easily configured to meet any requirement.

Items for STEP:

- (2) Adjustable Dock Legs
- (8) $\frac{3}{8}$ " x 1" hex bolts
- (16) $\frac{3}{8}$ " washers
- (8) $\frac{3}{8}$ " lock nuts

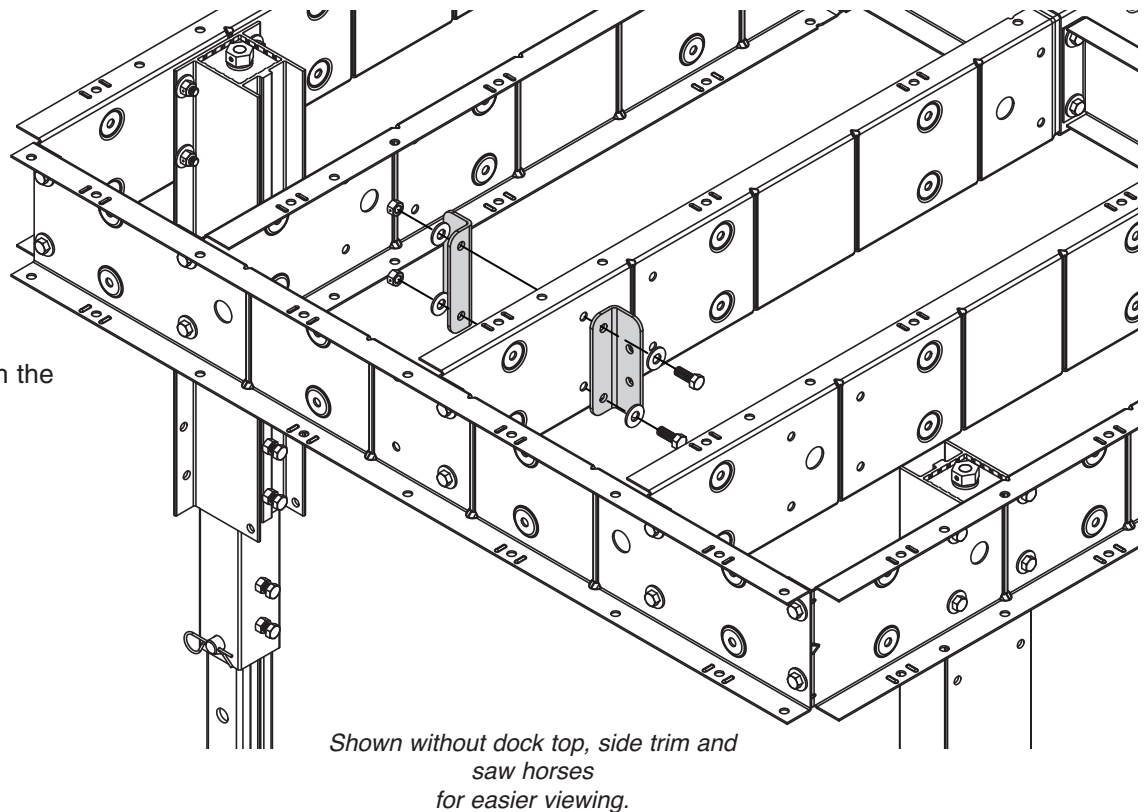
Place Dock Frame on Saw Horses or Elevated work surface
Install Legs on the end of dock with the 2" holes drilled into the Dock Top at locations shown.
Secure with $\frac{3}{8}$ " x 1" hex bolts, $\frac{3}{8}$ " washers and $\frac{3}{8}$ " lock nuts included with the adjustable dock leg.



Items for STEP :

- (2) Leg Brackets
- (2) $\frac{3}{8}$ " x 1" hex bolts
- (4) $\frac{3}{8}$ " washers
- (2) $\frac{3}{8}$ " lock nuts

Install Leg Brackets at location shown. Secure with $\frac{3}{8}$ " x 1" hex bolts, $\frac{3}{8}$ " washers and $\frac{3}{8}$ " lock nuts included with the adjustable dock leg.

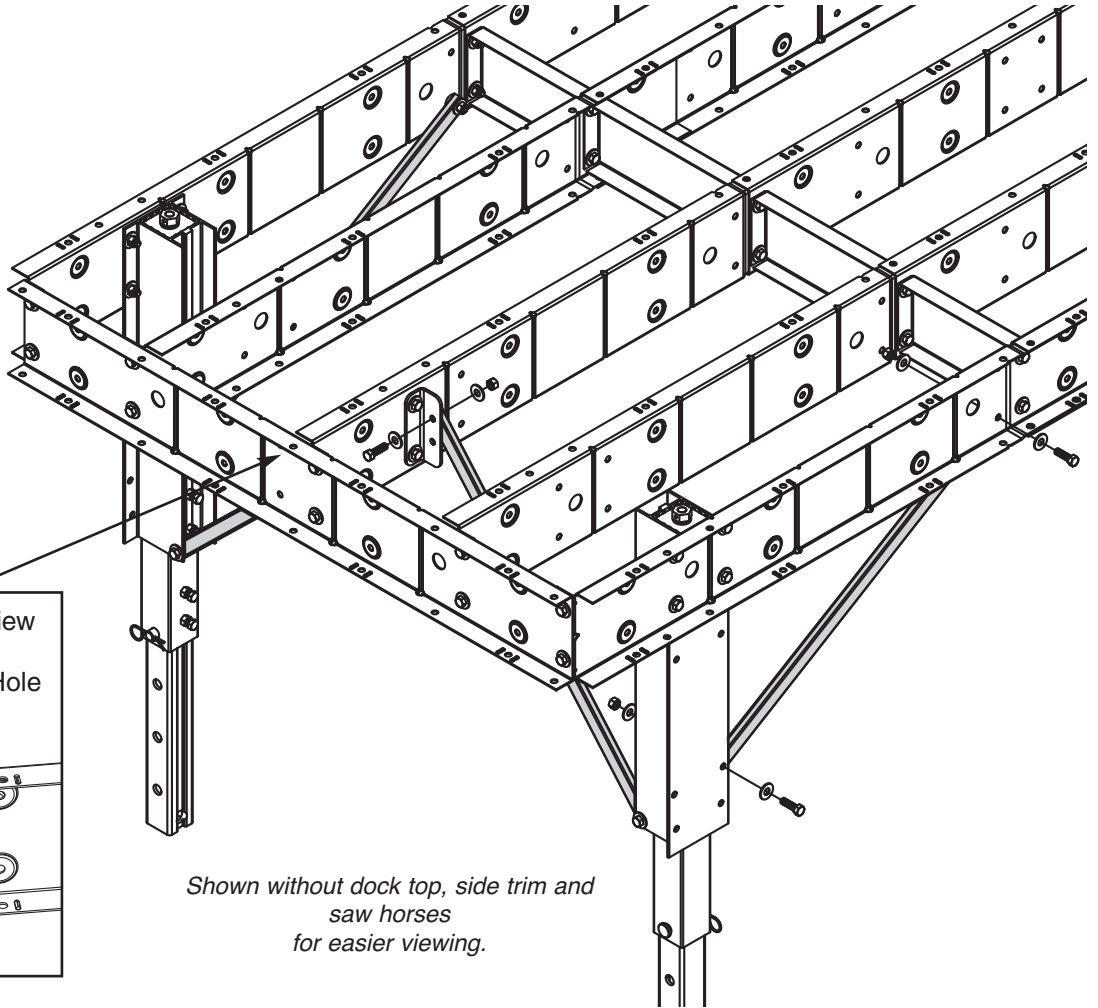
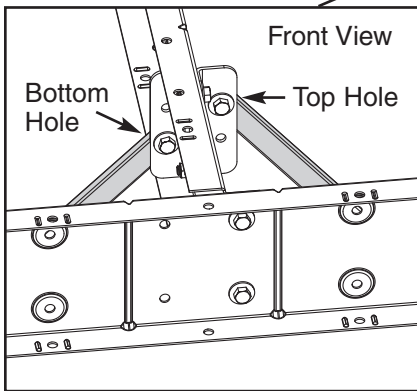


Items for STEP:

- (4) Cross Bars
- (8) $\frac{3}{8}$ " x $1\frac{1}{4}$ " hex bolts
- (16) $\frac{3}{8}$ " washers
- (8) $\frac{3}{8}$ " lock nuts

Install Cross Bars at locations shown. Secure with $\frac{3}{8}$ " x $1\frac{1}{4}$ " hex bolts, $\frac{3}{8}$ " washers and $\frac{3}{8}$ " lock nuts.

Note: Use top hole when bracket is on the outside of the rail and bottom hole when bracket is on the inside of rail.



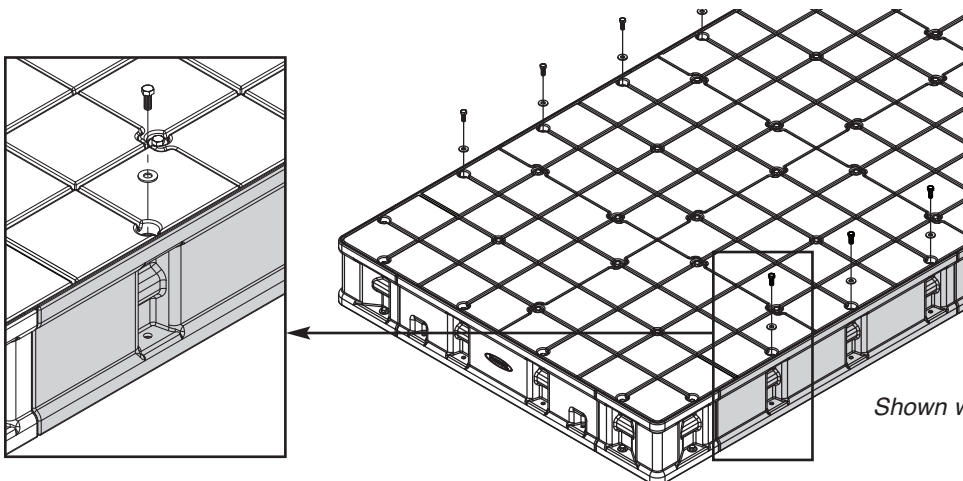
Shown without dock top, side trim and saw horses for easier viewing.

Items for STEP :

- (2) Side Trim
- (12) $\frac{3}{8}$ " x 1" hex bolts
- (24) $\frac{3}{8}$ " washers
- (12) $\frac{3}{8}$ " nuts

Position trim as shown. The Side Trim will slide behind the Corner Trim

Secure with $\frac{3}{8}$ " x 1" hex bolts, $\frac{3}{8}$ " washers and $\frac{3}{8}$ " lock nuts or add accessory brackets as shown on next page.



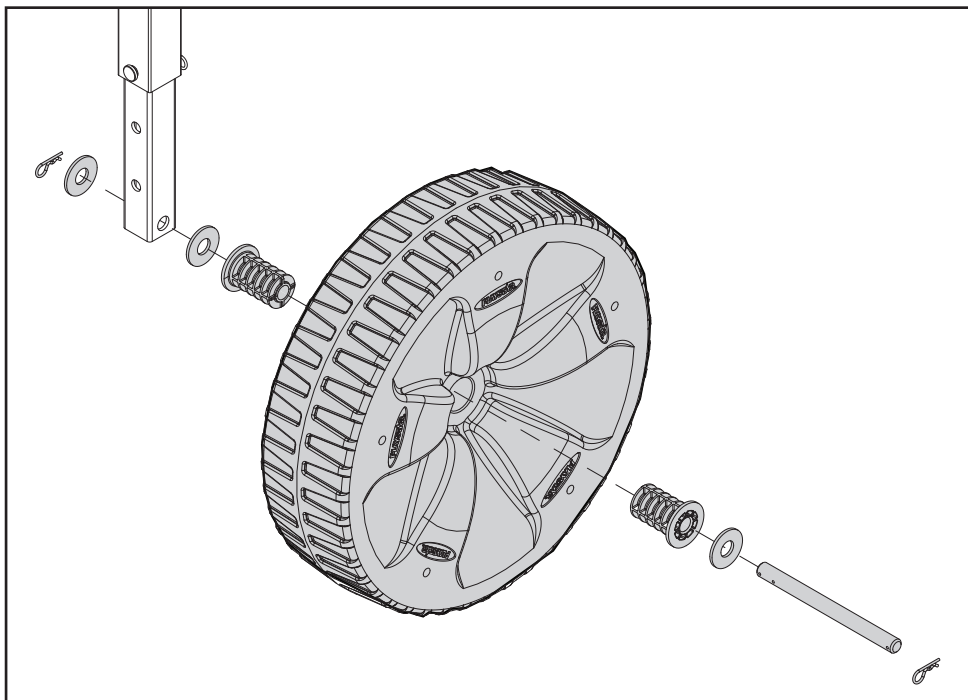
ROLL-IN OPTION

STEP: *Adding Dock Wheels.*

- (1) PS 1335 Dock Wheel Attachment
- (1) PS 1334 Dock Wheel

Disassemble Wheel Attachment.

Reassemble as shown to secure the wheel to the leg.



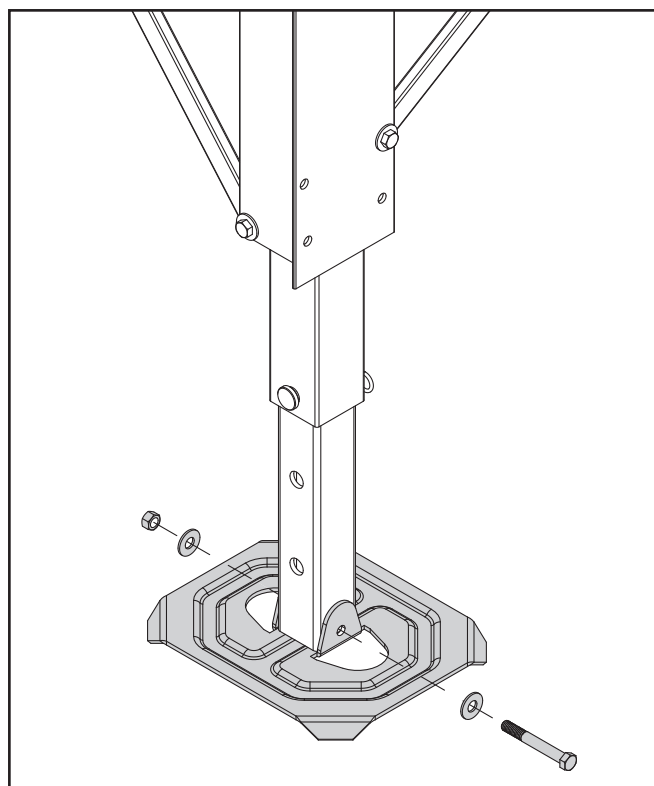
STATIONARY OPTION

STEP: *Adding Foot Plate*

- (1) PS 1332 Dock Foot Plate

Remove hardware from Foot Plate.

Attach to leg as shown.



How to figure your desired dock height:

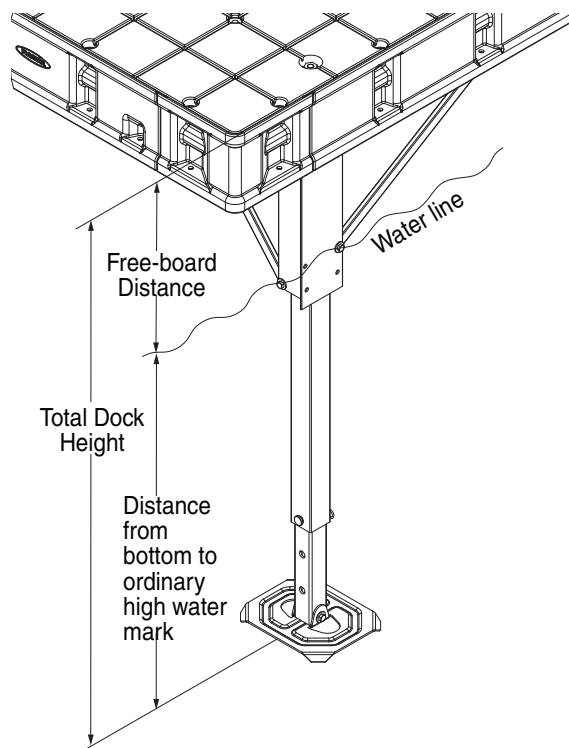
Decide on the location where your dock will be installed in the water.

Measure the vertical distance from the ordinary high watermark to the bottom of each dock wheel or foot plate where each will be resting when installed. **Ordinary high watermark is defined as the point on the bank or shore where water commonly rises and leaves a distinct mark.**

Decide the free-board distance you desire. **Free-board is the vertical distance from ordinary high watermark to the top of your dock.**

Add the ordinary high water mark measurement to the free-board measurement – **this is your total dock height.**

Determine your total dock height at each leg location and adjust each leg accordingly.



Dock height adjusts from 33" to 72"

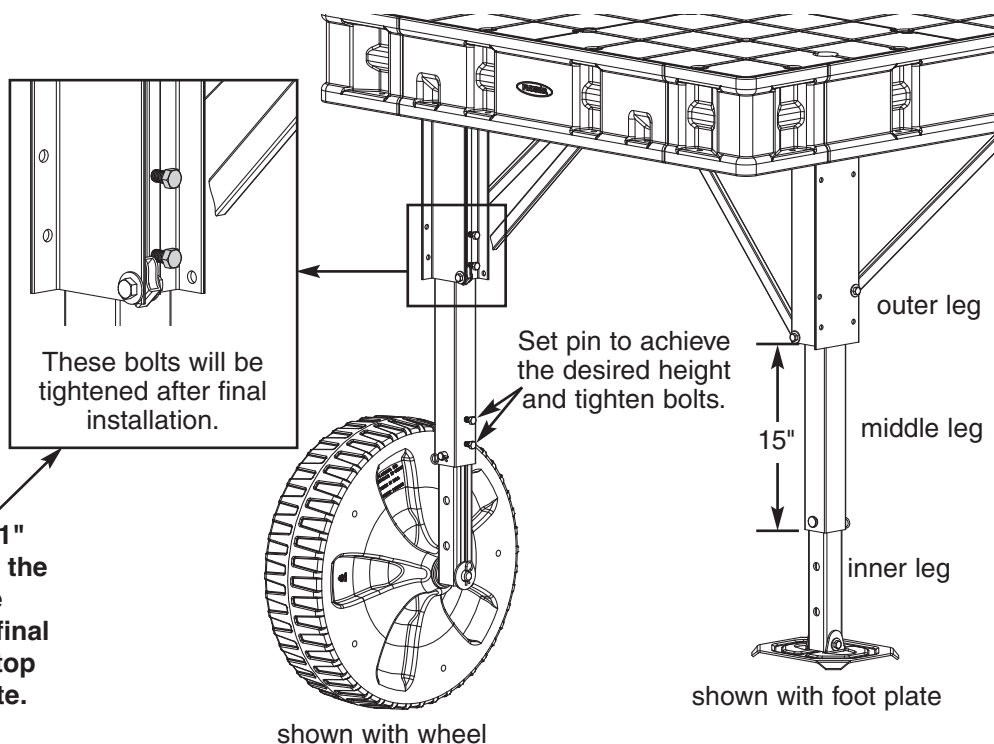
How to adjust your dock leg:

Turn the top screw adjustment clockwise until the middle leg is set to 15". This will give you over 8" of top screw adjustment up or down during final installation.

Remove the lower pin and adjust the inner leg to achieve your desired dock height.

After you have set your lower inner leg adjustment, reinstall the clevis pin and clip and tighten the two $\frac{3}{8}$ " x 1" hex bolts at that location only.

Do not tighten the two $\frac{3}{8}$ " x 1" hex bolts on the outer leg of the top screw adjustment. These bolts will be tightened after final installation of dock and the top screw adjustment is complete.



Dock height adjusts from 44" to 83"

READ ALL INSTRUCTIONS THOROUGHLY BEFORE YOU BEGIN CONSTRUCTION. FLOATING DOCK PROJECT STARTS HERE.

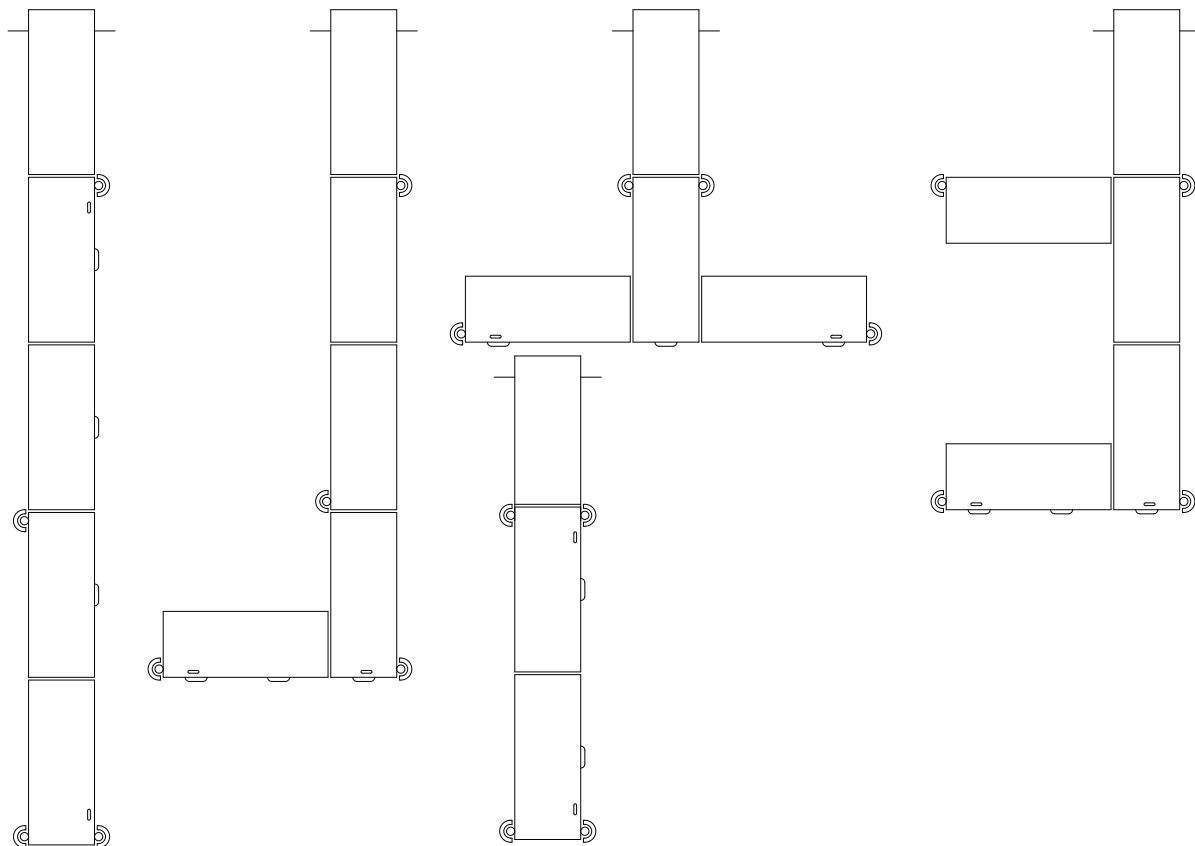
DOCK LAYOUT EXAMPLES

Floating



KEY

- - Dock Pipe
- ⊕ - Pipe Sleeve Bumper
- ∪ - Cleat
- ⌋ - Multi-Purpose Bumper



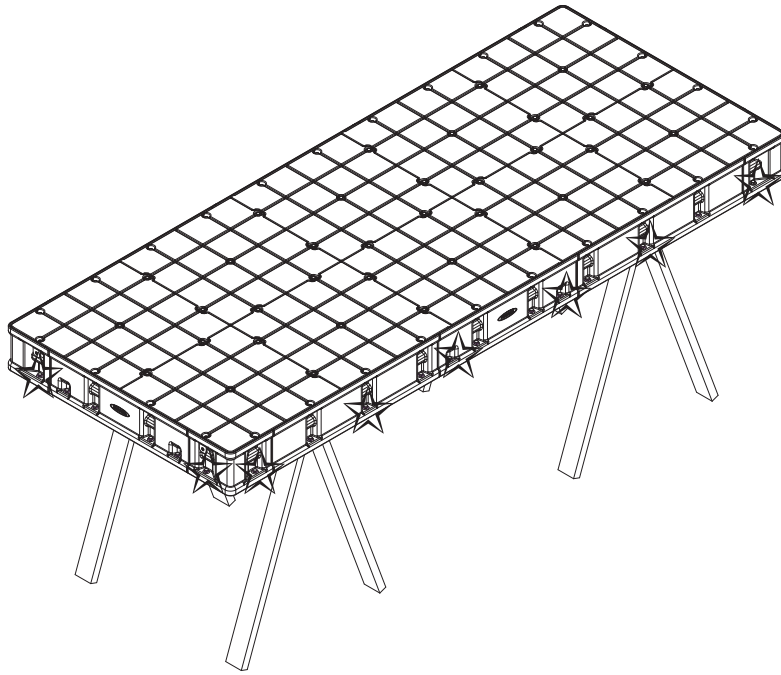
All PlayStar Docks are made from 4' x 10' modular sections which can be easily configured to meet any requirement.

Items for STEP:

Accessory Brackets (Optional)

Remove nuts and washers from 1" bolts at the starred locations on all sides of the frame and at any additional locations you will be placing accessory brackets.

NOTE: For accessory bracket locations Only (Refer to your specific project). Replace 1" hex bolts with an accessory bracket and 1" galvanized carriage bolts. (See page 11 for more detail)



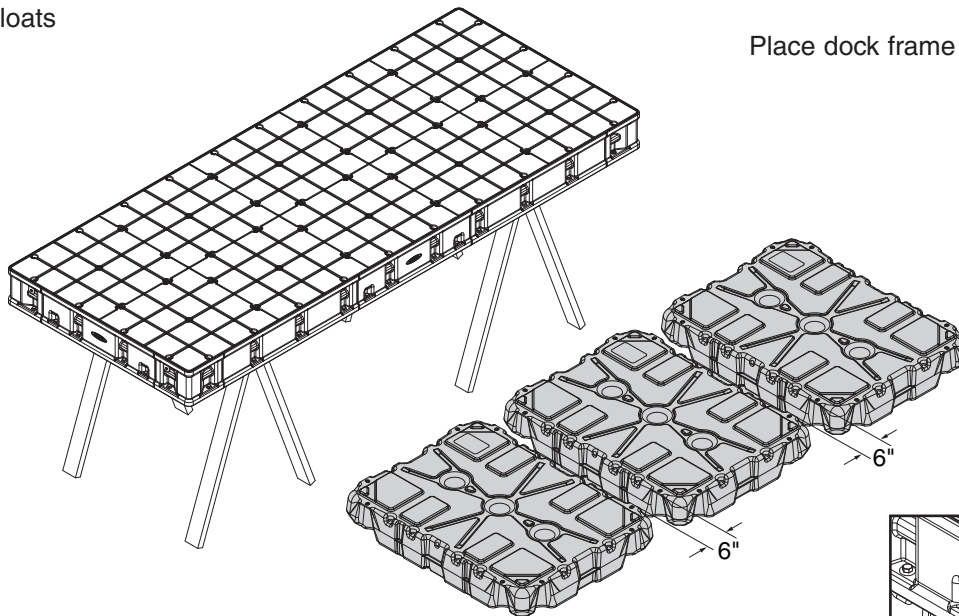
Secure any accessory bracket and carriage bolt with 3/8" washer and 3/8" lock nuts in any of the locations NOT marked with a star.

Items for STEP:

Position three floats on a flat level surface in a straight line, 6" apart as shown.

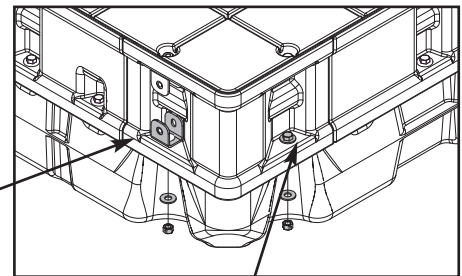
3 Floats

Place dock frame onto floats.



Secure bottom with 3/8" x 1" hex bolts, 3/8" washers and 3/8" lock nuts

Shown with Accessory Brackets



Shown without Accessory Brackets

INSTALL ACCESSORY BRACKETS FOR ACCESSORIES AND HINGES AT THIS TIME

You will need to remove and replace the galvanized HEX bolts in the dock frame and attach accessories brackets with galvanized CARRIAGE bolts.

IMPORTANT: Accessory Brackets (PS 1348) come with $\frac{3}{8}$ " x 1" GALVANIZED carriage bolts for mounting the brackets to the dock frame and $\frac{3}{8}$ " x 1" STAINLESS STEEL hex bolts for mounting accessories and hinges to the brackets.

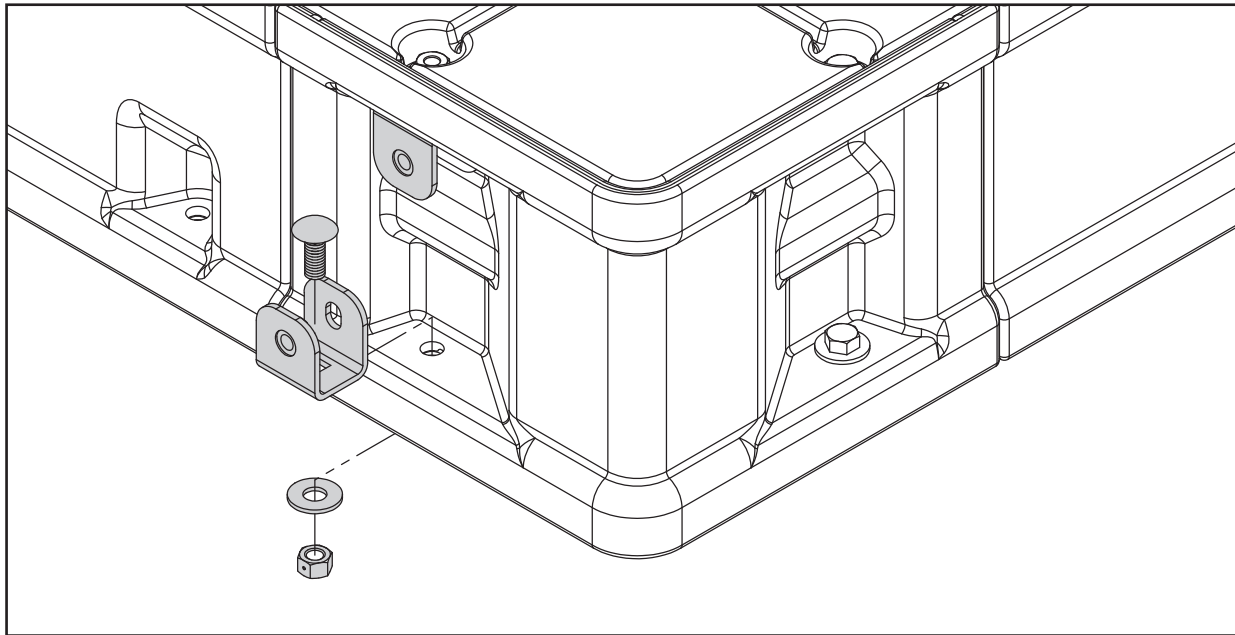
Although these all these 1" bolts may look similar, the galvanized bolts will damage the accessory bracket if used to attach hinges or accessories.

Refer to your specific project for location of Accessories and Hinges.

STEP: Adding Accessory Brackets.

Remove 1" galvanized bolts where needed for Accessory Brackets.

Position Accessory Brackets top and bottom as shown. Secure with $\frac{3}{8}$ " x 1" Carriage Bolt, $\frac{3}{8}$ " washers and $\frac{3}{8}$ " lock nuts.



Note: Brackets should be straight and flush with the side of the trim.

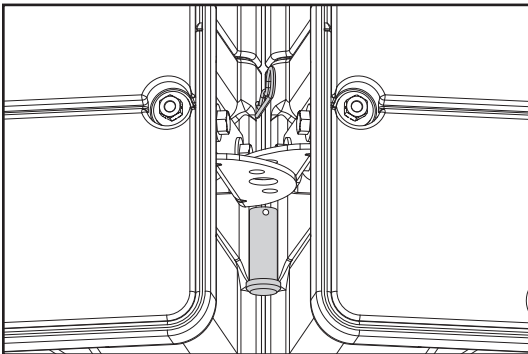
ATTACHING HINGES

STANDARD CONNECTION

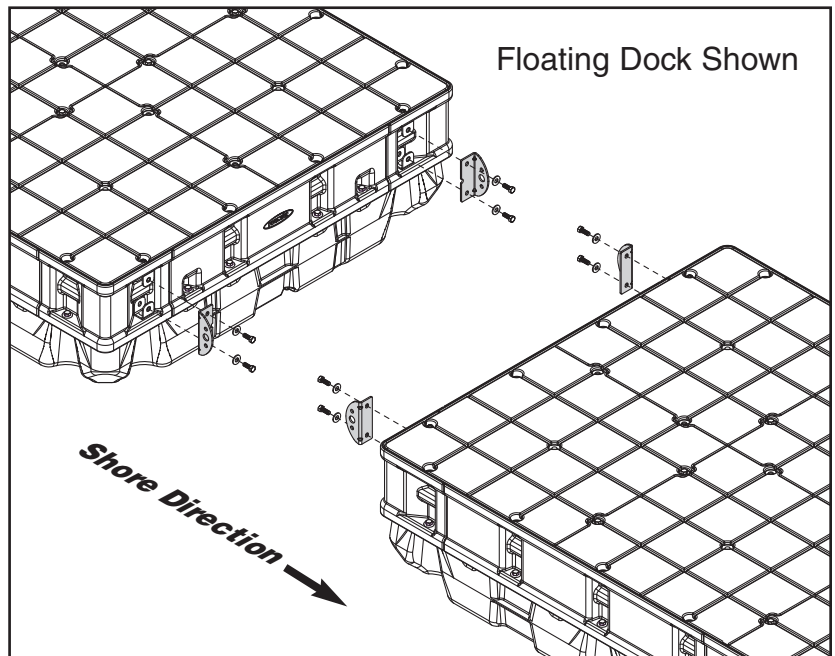
Attach the Hinges to the Accessory Brackets installed to the Frame in Step 11 as shown.

Position a long hinge (with notch) in each corner of one 4' side of the dock section as shown. Secure with $\frac{3}{8}$ " x 1" **STAINLESS STEEL** hex bolts provided with Accessory Brackets and $\frac{3}{8}$ " washers provided with the Dock Frame.

Position a short hinge (no notch) in each corner of one 4' side of the next dock section to be attached. Secure with $\frac{3}{8}$ " x 1" **STAINLESS STEEL** hex bolts provided with Accessory Brackets and $\frac{3}{8}$ " washers provided with the Dock Frame.



Connect sections with pin and clip



*Refer to your specific project
for locations.*

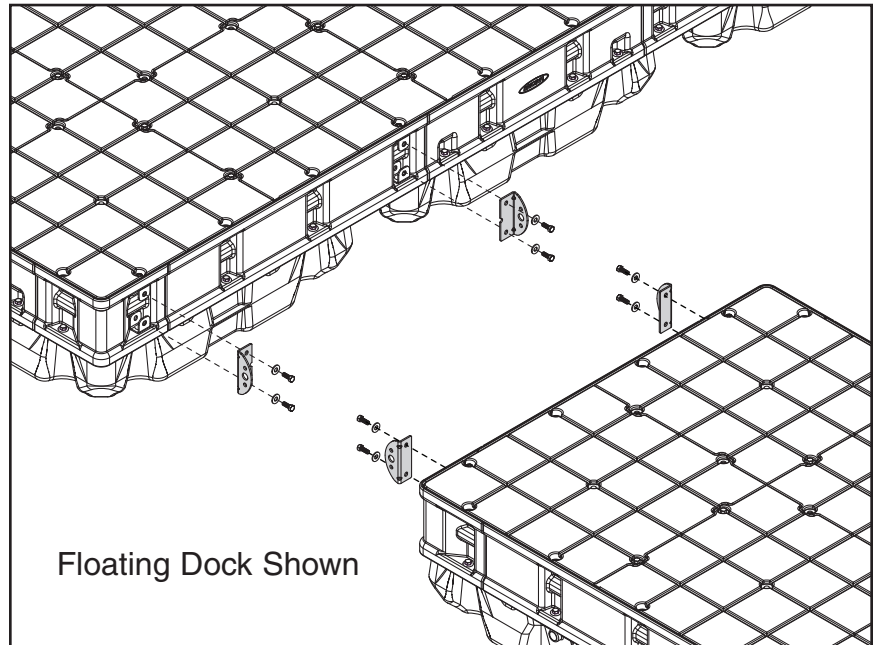
RIGHT-ANGLE CONNECTION

Attach the Hinges to the Accessory Brackets installed to the Frame in Step 11 as shown.

Position the long hinges (with notch) at locations shown. Secure with $\frac{3}{8}$ " x 1" **STAINLESS STEEL** hex bolts provided with Accessory Brackets and $\frac{3}{8}$ " washers provided with the Dock Frame.

Position a short hinge (no notch) in each corner of one 4' side of the next dock section to be attached. Secure with $\frac{3}{8}$ " x 1" **STAINLESS STEEL** hex bolts provided with Accessory Brackets and $\frac{3}{8}$ " washers provided with the Dock Frame.

*Refer to your specific project
for locations.*

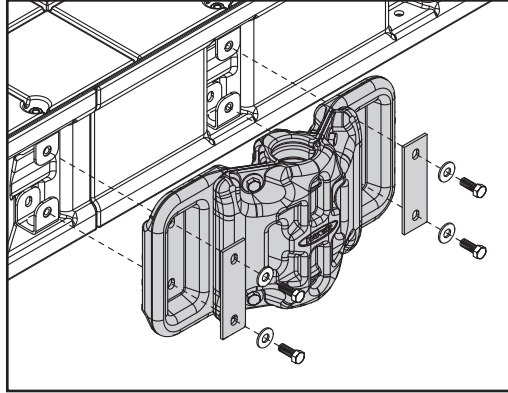


ATTACHING ACCESSORIES (Purchase Separately)

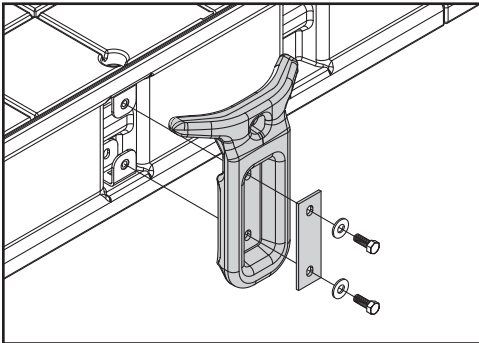
Pipe Sleeve / Bumper - PS 1350

Attach Accessory Brackets to dock in desired location for Pipe Sleeve / Bumper. Use $\frac{3}{8}$ " x 1" **STAINLESS STEEL** hex bolt to attach Pipe Sleeve / Bumper to the bracket. Do not over-tighten.

Refer to your specific project for locations.



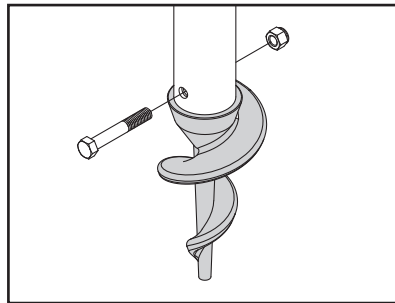
Dock Cleat - PS 1354



Attach Accessory Brackets to dock in desired location for Cleat. Use $\frac{3}{8}$ " x 1" **STAINLESS STEEL** hex bolt to attach Cleat to the bracket. Do not over-tighten.

Refer to your specific project for locations.

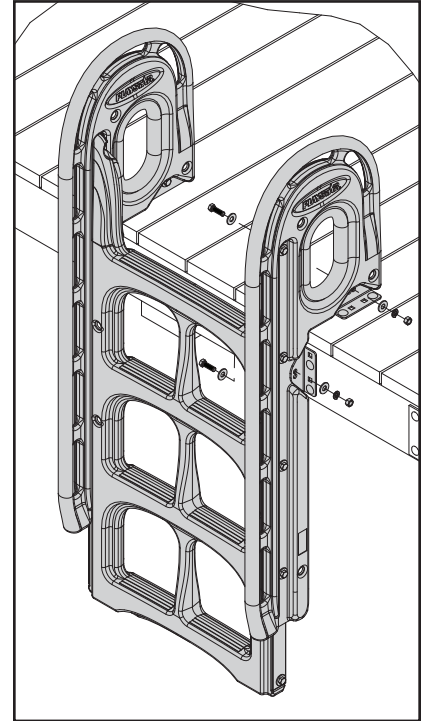
Auger - PS 1100



Drill one $\frac{3}{8}$ " hole in pipe $1\frac{1}{16}$ " up from the end. Insert Auger into the pipe, align holes and finish drilling opposite side. Secure with the nut and bolt provided.

Refer to your specific project for locations.

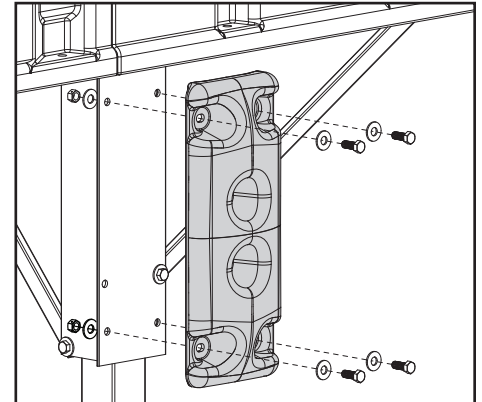
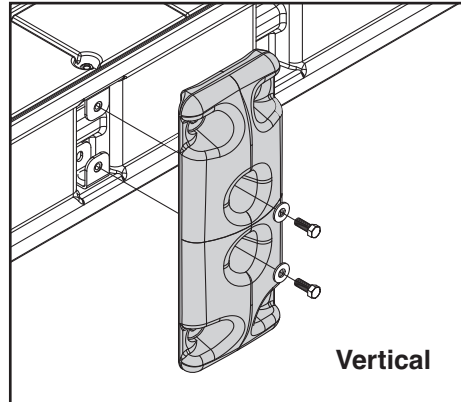
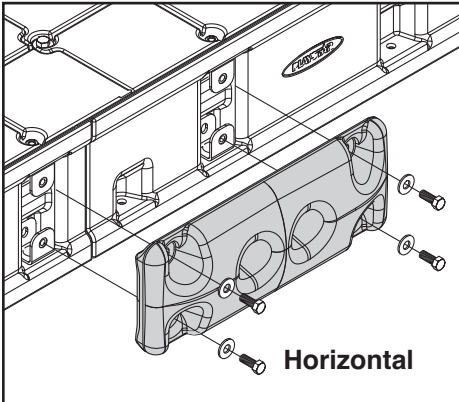
Resin Dock Ladder PS 1605



Use the installation instructions and mounting hardware which are supplied with this component.

Refer to your specific project for locations.

Multi-Purpose Bumper - PS 1352



Attach Accessory Brackets to dock in desired location for Bumper. Use $\frac{3}{8}$ " x 1" **STAINLESS STEEL** hex bolt to attach Bumper to the bracket. Do not over-tighten.

To attach bumper to adjustable Dock Leg: Use $\frac{3}{8}$ " x 1" **GALVANIZED** hex bolt, $\frac{3}{8}$ " washers, $\frac{3}{8}$ " lock nuts from adjustable Dock Leg hardware to secure Bumper to Dock Leg as shown.

Refer to your specific project for locations.

T*Thank You for choosing PlayStar. Because it is our intention to make this a positive family experience, we have taken great care in preparing this product. Should you have any questions, or if we can assist you in any way, please call our friendly Customer Service Department for immediate action.*

Do not return to the store.

Please call us Toll Free at 1-888-PLAYSTAR
(752-9782)

Monday through Friday, 8:00 A.M. to 5:00 P.M. C.S.T.

Ask for Customer Service.

We Will Gladly Help!



PlayStar, Incorporated, Janesville, WI 53547

© 2014, 2006 PlayStar, Inc. Reproduction of this document in part or whole is prohibited without the permission of PlayStar, Inc.

Patents Pending or Protected by one or more of the following United States or Foreign Patents: US 6,098,564; US 6,145,463; US 7,153,064; CA 2,270,012; CA 2,261,438